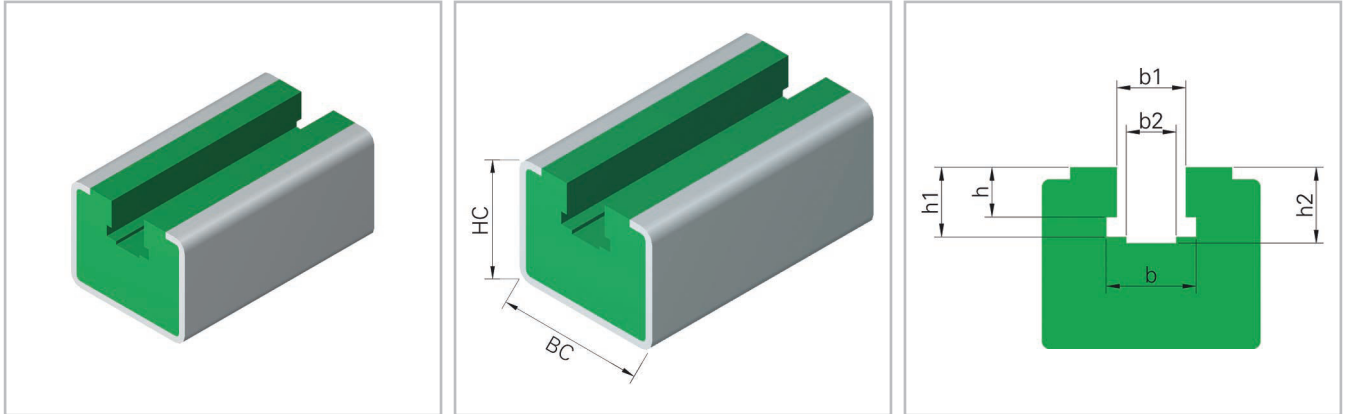


Description

Machined PE profile with a high molecular weight used as a sliding support for vertical roller chains. With its very good wear and chemical resistance, and low noise properties, this works well with all types of machinery. This can be installed easily with the related metal profile.

This is used in a wide range of industries such as bottling, packaging, materials handling, and food processing.



Product data

Habasit code	Chain	ISO 606 (DIN 8187)	Metal profile	BC	HC	b
				mm	mm	mm
BLC-01	3/8"x7/32"	06 B-1	C-10	30	24	9.3
BLC-05	1/2"x5/16"	08 B-1	C-10	30	24	12.8
BLC-09	5/8"x3/8"	10 B-1	C-10	30	24	15.4
BLC-15	3/4"x7/16"	12 B-1	C-10	30	24	16.9
BLC-18	1"x17 mm	16 B-1	C-11	45	40	24.4
BLC-21	1 1/4"x3/4"	20 B-1	C-11	45	40	27.5

Habasit code	b1	b2	h	h1	h2
	mm	mm	mm	mm	mm
BLC-01	6.6	4.0	5.6	8.7	10.0
BLC-05	8.7	5.0	7.6	11.5	13.5
BLC-09	10.4	6.0	9.5	13.5	14.8
BLC-15	12.3	7.0	11.5	15.9	17.5
BLC-18	16.1	9.0	16.1	25.7	26.8
BLC-21	19.3	11.0	19.5	29.3	31.2

Standard material: HabiPLAST[®] UHR/G (green). Other materials are available on request.

Standard length is 3 m. Other lengths up to max. 6 m are available on request.

Metal profile is not included - please order separately.

For detailed material properties and other colors please contact your Habasit representative.

Note: All data are approximate values under standard climatic conditions: 23 °C / 73 °F, 50% relative humidity (according to DIN 50005 / ISO 554).