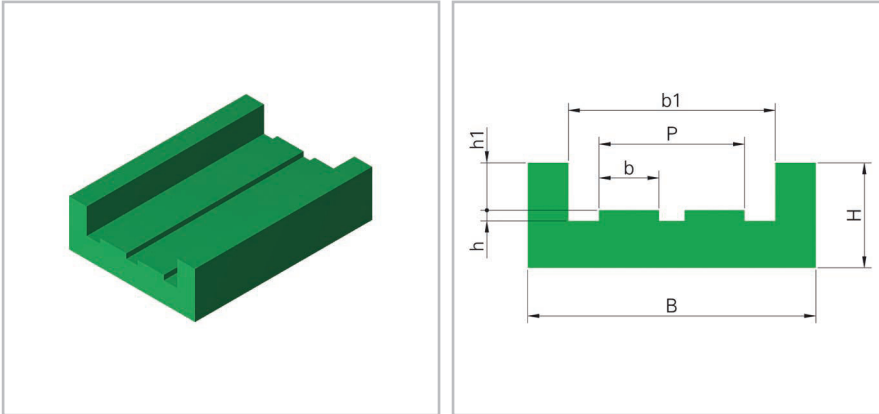


Description

Machined PE profile with a high molecular weight used as a sliding support for double roller chains. With its very good wear and chemical resistance, and inherent low noise properties, this works well with all types of machinery.

This is used in a wide range of industries such as bottling, packaging, materials handling, and food processing.



Product data

Habasit code	Chain	ISO 606 (DIN 8187)	B	H	b	b1
			mm	mm	mm	mm
E2-01	3/8"x7/32"	06 B-2	36	15	5.4	26
E2-05	1/2"x5/16"	08 B-2	45	20	7.4	35
E2-06	5/8"x3/8"	10 B-2	50	25	9.2	40
E2-07	3/4"x7/16"	12 B-2	56	25	11.3	46
E2-10	1"x17 mm	16 B-2	85	30	16.5	75

Habasit code	h	h1	P
	mm	mm	mm
E2-01	1.5	4.4	15.8
E2-05	2.2	7.2	21.4
E2-06	2.6	9.5	25.8
E2-07	2.4	11.1	30.8
E2-10	3.5	16.5	48.8

Standard material: HabisPLAST[®] UHR/G (green). Other materials are available on request.

Standard length is 3 m. Other lengths up to max. 6 m are available on request.

For detailed material properties and other colors please contact your Habasit representative.

Note: All data are approximate values under standard climatic conditions: 23 °C / 73 °F, 50% relative humidity (according to DIN 50005 / ISO 554).