

KVP[®] Straight 1/2" Pitch Belting CM605 (Curved Mesh)

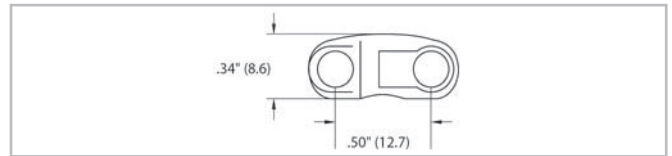
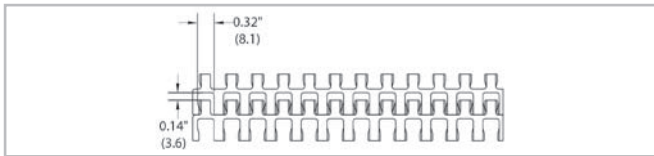
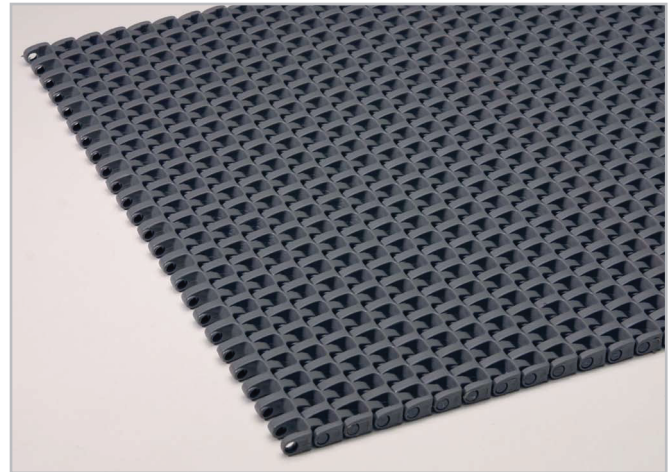


Your Source For Habasit
Belting And Chain

www.StilesEnterprises.com • 1-800-325-4232

Description

- 1/2 inch pitch
- 30% open area
- Food approved materials
- Bi-directional
- 3/4 inch (19.1 mm) diameter nosebar capability
- Connecting rod diameter = 0.172 inch (4.4 mm)
- Standard belt width increments = 1 inch (25.4 mm) nominal, starting from 2 inches (50.8 mm)
- Non-standard widths available in 1/2 inch (12.7 mm) increments starting at 3 inches (76.2 mm) upon request
- Material selection may affect belt width — please contact your local partner for actual dimensions

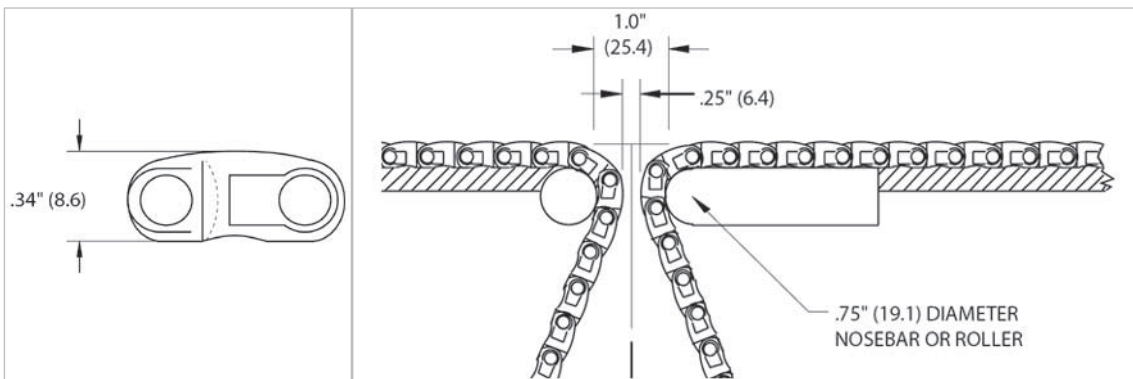


Belt data

Belt material		PP	POM
Rod material		PP	
Nominal tensile strength F' _N	N/m lb/ft	11675 800	20431 1400
Temperature range	°C °F	5 - 105 40 - 220	5 - 93 40 - 200
Belt weight m _B	kg/m ² lb/sqft	4.4 0.91	6.3 1.30
Standard belt color		gray	blue/white

Additional belt colors and materials available, abrasive resistant Nylon (Polyamide) rods available – contact your local partner.

Belt accessories



Inserts

Note: Inserts may affect belt pull - please contact your local partner.

Nosebar