

# KVP<sup>®</sup> Straight 3/4" Pitch Belting 106 CL (106 Closed)

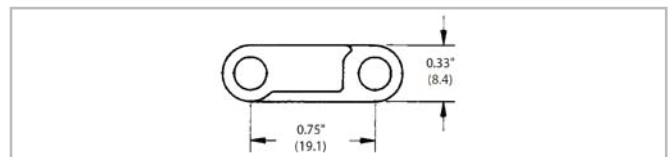


Your Source For Habasit  
Belting And Chain

www.StilesEnterprises.com • 1-800-325-4232

## Description

- 3/4 inch pitch
- Solid top surface
- Food approved materials
- Bi-directional
- Connecting rod diameter = 0.188 inch (4.8 mm)
- Standard belt width increments = 3/4 inches (19.1 mm) nominal, starting from 3 inches (76.2 mm)
- Material selection may affect belt width - please contact your local partner for actual dimensions

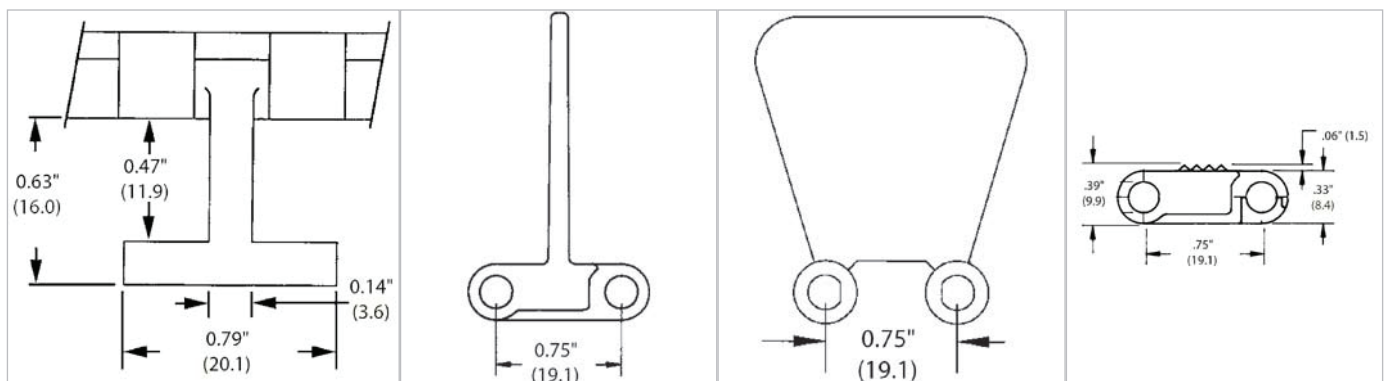


## Belt data

Belt material		PP	POM	POM L
Rod material		PP		
Nominal tensile strength F' <sub>N</sub> straight run	N/m	376	753	753
	lb/ft	5487	10989	10989
Temperature range	°C	5 - 105	5 - 93	5 - 93
	°F	40 - 220	40 - 200	40 - 200
Belt weight m <sub>B</sub>	kg/m <sup>2</sup>	4.9	6.8	6.8
	lb/sqft	1.00	1.40	1.40
Standard belt color		gray	gray/white	brown

Additional belt colors and materials available, abrasive resistant Nylon (Polyamide) rods available – contact your local partner.

## Belt accessories



Hold down tabs

Flights  
Standard flights are available in 1-1/2" (38.1 mm) and 3" (76.2 mm) heights.

Sideplates  
Sideplates are available in 1" (25.4 mm) and 1-1/2" (38.1 mm) heights.

Rough Top