

# KVP<sup>®</sup> Straight 3/4" Pitch Belting 106 22 (106 22% Open)

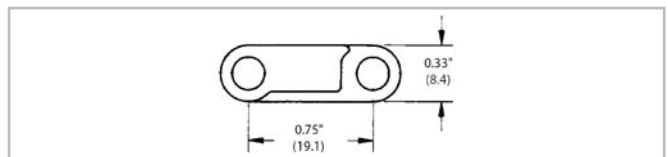
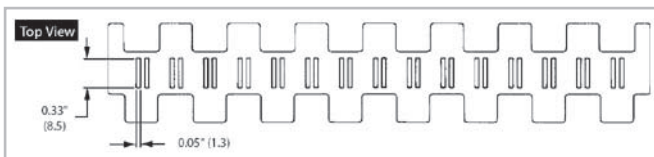
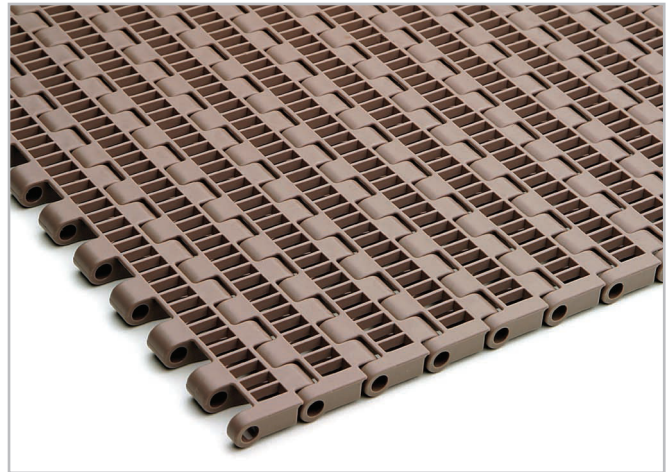


Your Source For Habasit  
Belting And Chain

www.StilesEnterprises.com • 1-800-325-4232

## Description

- 3/4 inch pitch
- 22% open area
- Food approved materials
- Bi-directional
- Connecting rod diameter = 0.188 inch (4.8 mm)
- Standard belt width increments = 3/4 inches (19.1 mm) nominal, starting from 3 inches (76.2 mm)
- Material selection may affect belt width — please contact your local partner for actual dimensions

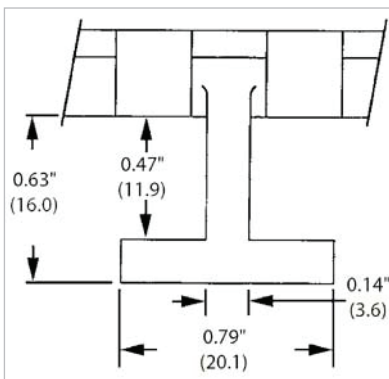


## Belt data

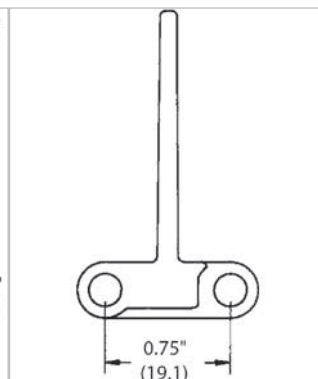
Belt material		PP	POM L
Rod material		PP	
Nominal tensile strength F' <sub>N</sub>	N/m lb/ft	5487 376	10989 753
Temperature range	°C °F	5 - 105 40 - 220	5 - 93 40 - 200
Belt weight m <sub>B</sub>	kg/m <sup>2</sup> lb/sqft	4.1 0.84	5.8 1.19
Standard belt color		gray	brown

Additional belt colors and materials available, abrasive resistant Nylon (Polyamide) rods available – contact your local partner.

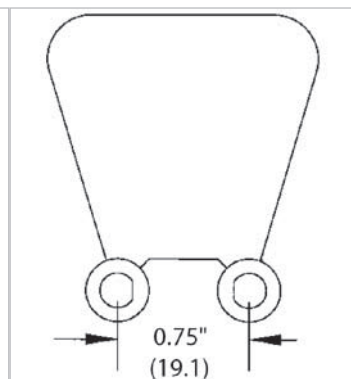
## Belt accessories



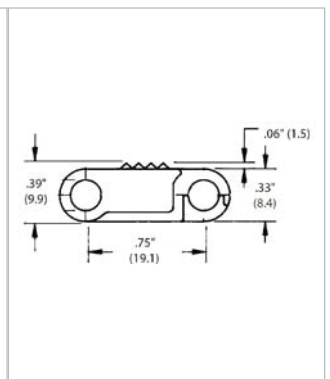
Hold down tabs



Flights  
Standard flights are available in 1-1/2" (38.1 mm) and 3" (76.2 mm) heights.



Sideplates  
Sideplates are available in 1" (25.4 mm) and 1-1/2" (38.1 mm) heights.



Rough Top