

KVP[®] Straight 1-1/2" Pitch Belting SP615 (All-In-One)

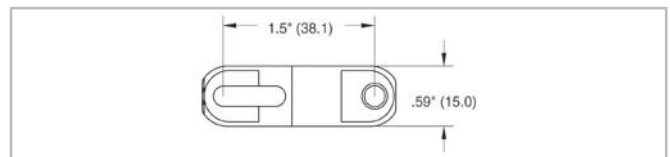
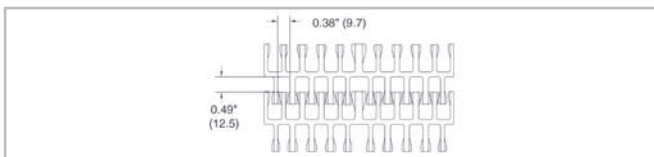
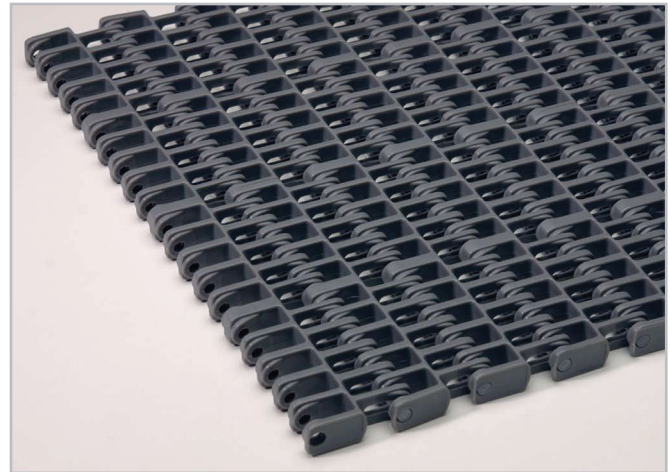


Your Source For Habasit
Belting And Chain

www.StilesEnterprises.com • 1-800-325-4232

Description

- 1-1/2 inch pitch
- 75% open area
- Food approved materials
- Bi-directional
- Connecting rod diameter = 0.188 inch (4.8 mm)
- Standard belt width increments = 3 inch (76.2 mm) nominal, starting from 6 inches (152.4 mm).
- Non-standard widths available in 5/8 inch (15.9 mm) increments from 4 inches (101.6 mm) upon request.
- Material selection may affect belt width — please contact your local partner for actual dimensions

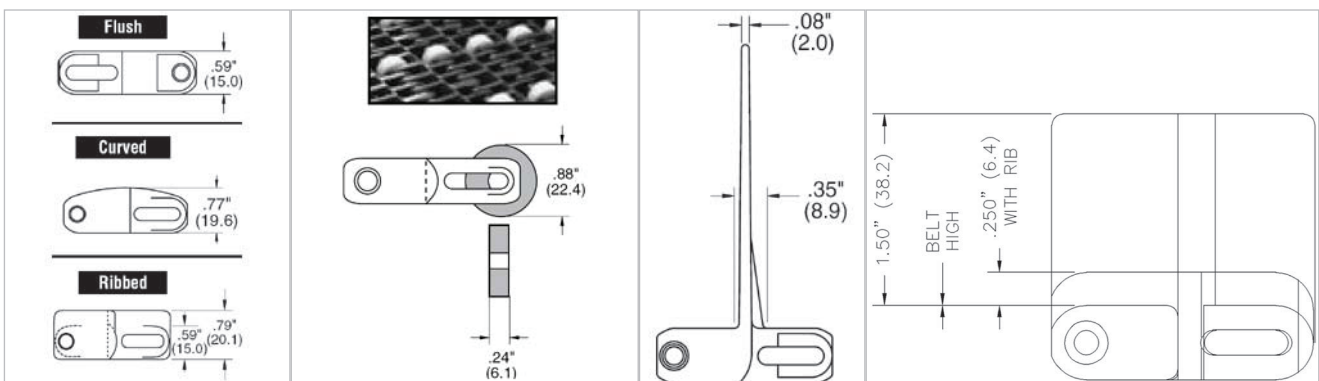


Belt data

Belt material		PP	PE	POM	Nylon (PA 66)
Rod material		PP	PE	PP	
Nominal tensile strength F' _N	N/m	14593	11675	21890	21890
	lb/ft	1000	800	1500	1500
Temperature range	°C	5 - 99	-70 - 65	5 - 93	5 - 118
	°F	40 - 210	-94 - 150	40 - 200	40 - 245
Belt weight m _B	kg/m ²	5.4	5.6	7.8	6.8
	lb/sqft	1.11	1.14	1.59	1.40
Standard belt color		gray	white	blue/off-white	dark gray

Additional belt colors and materials available, abrasive resistant Nylon (Polyamide) rods available – contact your local partner.

Belt accessories



Inserts

Note: Inserts may affect belt pull - please contact your local partner.

Rollerbelt

Standard flights

Standard flights are available in 1", 2", and 3" heights.

Sideplates

Sideplates are available; belt high, with rib, and 1-1/2" height.