

KVP[®] Straight 1-1/2" Pitch Belting ST615 (Solid Top)

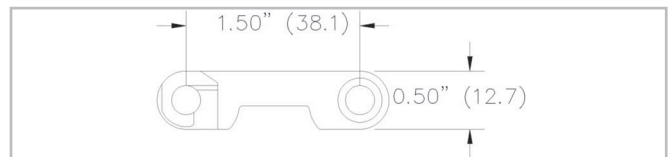
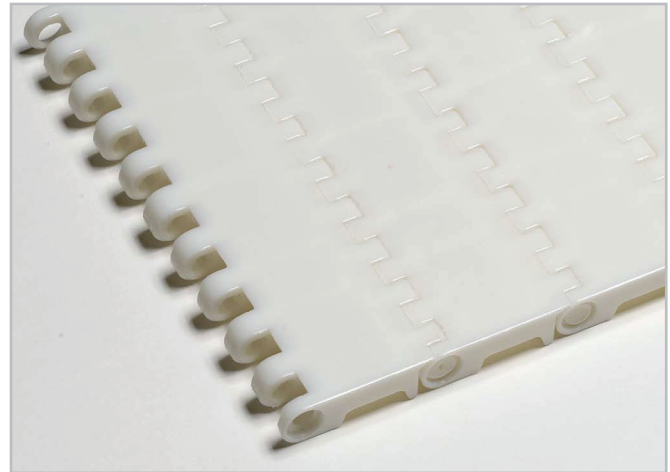


Your Source For Habasit
Belting And Chain

www.StilesEnterprises.com • 1-800-325-4232

Description

- 1-1/2 inch pitch
- Solid top surface
- Food approved materials
- Bi-directional
- Connecting rod diameter = 0.250 inch (6.4 mm)
- Standard belt width increments = 3 inch (76.2 mm) nominal, starting from 6 inches (152.4 mm)
- Non-standard widths available in 5/8 inch (15.9 mm) increments starting at 3 inches (76.2 mm) upon request
- Material selection may affect belt width — please contact your local partner for actual dimensions

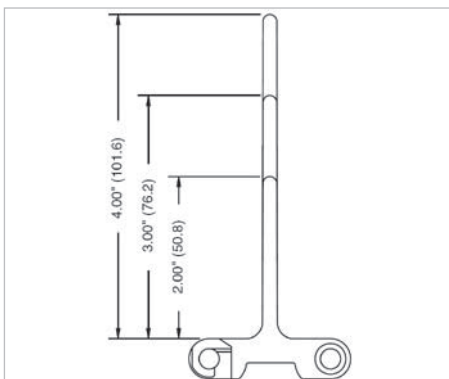


Belt data

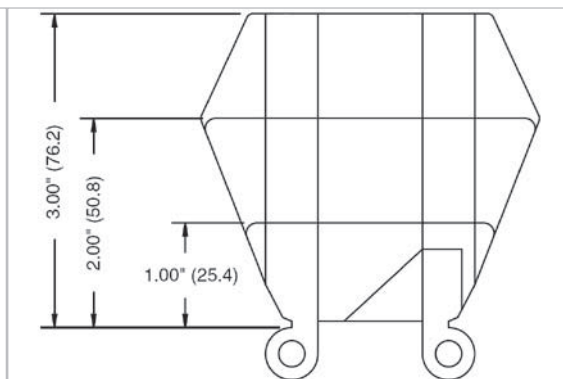
Belt material		PP	PE
Rod material		PP	PE
Nominal tensile strength F' _N straight run	N/m	26262	21010
	lb/ft	1800	1440
Temperature range	°C	5 - 105	-70 - 65
	°F	40 - 220	-94 - 150
Belt weight m _B	kg/m ²	6.8	7.3
	lb/sqft	1.40	1.50
Standard belt color		gray	white

Additional belt colors and materials available, abrasive resistant Nylon (Polyamide) rods available – contact your local partner.

Belt accessories



Flights
Standard flights are available in 2", 3" and 4" heights. Standard flight indent is 1" or greater from outside edge of belt.



Sideplates
Sideplates are available in standard 1", 2", and 3" heights.