

KVP[®] Straight 1-3/4" Pitch Belting CC41 (Constant Cleaning Solid Top)

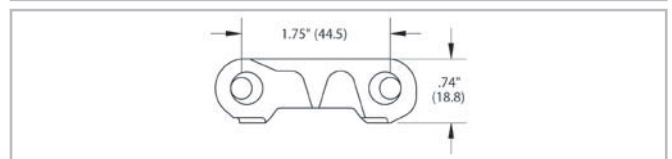


Your Source For Habasit
Belting And Chain

www.StilesEnterprises.com • 1-800-325-4232

Description

- 1-3/4 inch pitch
- Solid top surface
- Food approved materials
- Connecting rod diameter = 0.250 inch (6.4 mm)
- Standard belt width increments = 1 inch (25.4 mm) nominal, starting from 4 inches (101.6 mm)
- Material selection may affect belt width — please contact your local partner for actual dimensions

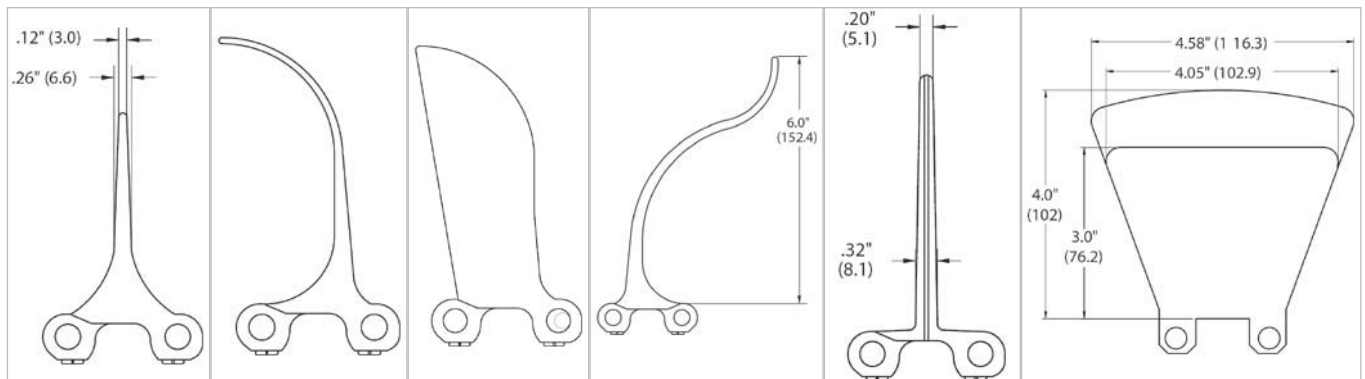


Belt data

Belt material		PP	PP +DE	PE	Nylon (PA 612)
Rod material		Nylon (PA)			
Nominal tensile strength F' _N straight run	N/m lb/ft	35024 2400	27728 1900	23349 1600	37944 2600
Temperature range	°C	5 - 105	5 - 105	-40 - 65	-40 - 118
	°F	40 - 220	40 - 220	-40 - 150	-40 - 245
Belt weight m _B	kg/m ²	7.3	5.9	8.0	9.0
	lb/sqft	1.50	1.20	1.63	1.85
Standard belt color		gray/white	dark gray	white	beige

Additional belt colors and materials available, stainless steel rods available - contact your local partner.

Belt accessories



Standard flight
Standard flights are available in 1", 2", and 3" heights. Standard flight indent is 1" or greater from outside edge of belt with all flights.

Scoop flight
Scoop flights are available in 3", 4" and 6" heights.

Bucket flight
Bucket flights are available in 3", 4" and 6" heights.

Slide flight

Tongue & Groove flight
Tongue & Groove flights are available in 4" height. Standard flight indent is 2" or greater from outside edge of belt.

Sideplates
Sideplates are available in 3" and 4" heights.