

KVP® Radius 2" Pitch Belting IS620-R (All-In-One)

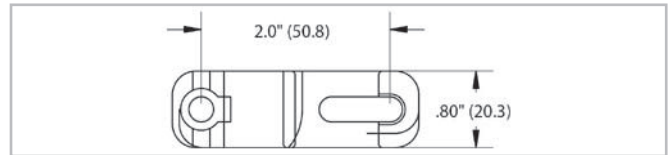
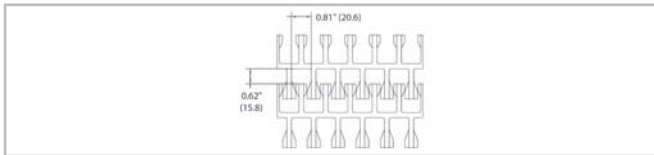


Your Source For Habasit
Belting And Chain

www.StilesEnterprises.com • 1-800-325-4232

Description

- 2 inch pitch
- Belt turning radius equals 2.2 times the nominal belt width up to 24 inches (609.6 mm)
- Belt turning radius equals 2.5 times the nominal belt width over 24 inches (609.6 mm)
- 75% open area
- Food approved materials
- Bi-directional
- Connecting rod diameter = 0.250 inch (6.4 mm)
- Standard belt width increments = 3 inch (76.2 mm) nominal, starting from 7.25 inches (184.2 mm)
- Non-standard widths available in 1 inch (25.4 mm) increments starting at 5 inches (127 mm) upon request
- Material selection may affect belt width — please contact your local partner for actual dimensions

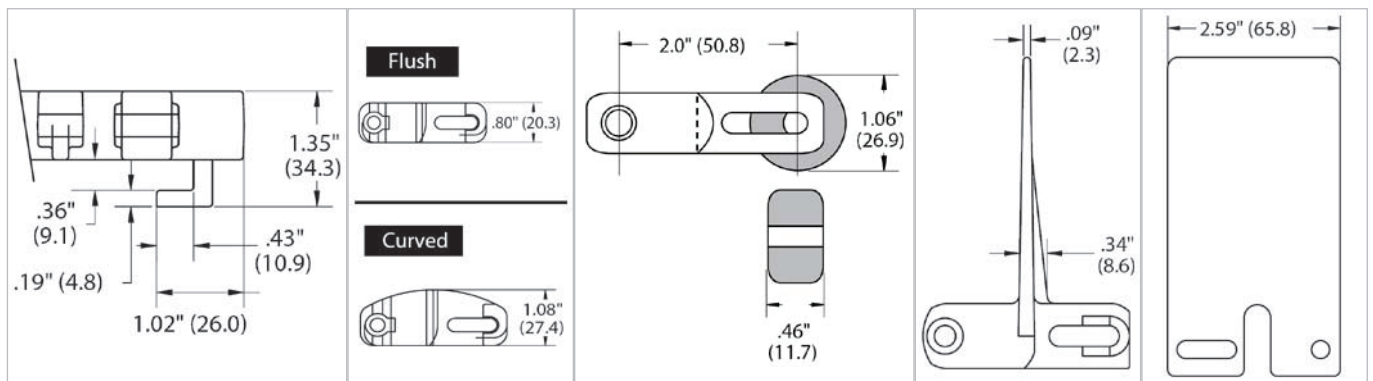


Belt data

Belt material		PP	PE	POM	Nylon (PA 66)
Rod material		PP	POM	Nylon (PA)	
Nominal tensile strength F_N in curve ⁽¹⁾	N lbf	1957 440	1557 350	3114 700	3114 700
Temperature range	°C	5 - 105	-40 - 65	-40 - 93	-40 - 118
	°F	40 - 220	-40 - 150	-40 - 200	-40 - 245
Belt weight m_B	kg/m ²	8.6	8.9	12.5	10.5
	lb/sqft	1.76	1.82	2.56	2.15
Standard belt color		gray	white	blue/off-white	dark gray

Additional belt colors and materials available, abrasive resistant Nylon (Polyamide) and stainless steel rods available - contact your local partner.

Belt accessories



Hold down tabs

Inserts

Note: Inserts may affect belt pull — please contact your local partner.

Rollers

Standard flight

Standard flights are available in 1", 2", 3" and 4" heights. Standard flight indent is 1-3/4" or greater from outside edge of belt. High friction flights available.

Sideplates

Available in 4" heights. Note: Sideplates must be indented 1 3/4" from outside edge of belt.