

KVP® Radius 2" Pitch Belting PR620 (Spiral Pro)

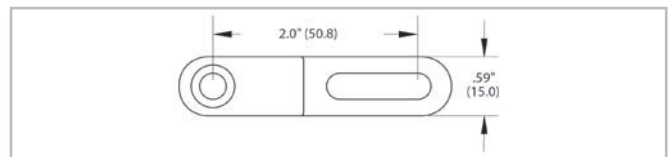
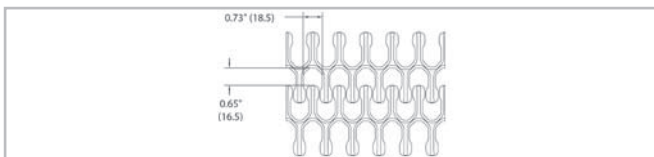
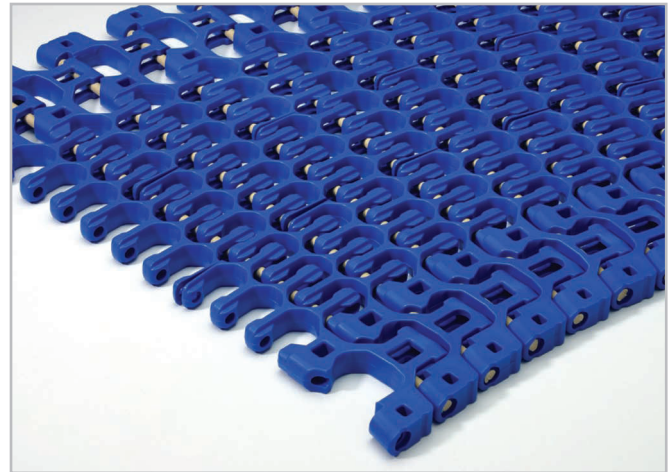


Your Source For Habasit
Belting And Chain

www.StilesEnterprises.com • 1-800-325-4232

Description

- 2 inch pitch
- Belt turning radius equals 1.6 times the nominal belt width
- 65% open area
- Food approved materials
- Connecting rod diameter = 0.250 inch (6.4 mm)
- Standard belt width increments = 1 inch (25.4 mm) nominal, starting from 12 inches (304.8 mm)
- Adjustable radius plugs available: sizes 1.8, 2.0, 2.2, 2.5, and 3.0 turning radius
- Material selection may affect belt width — please contact your local partner for actual dimensions

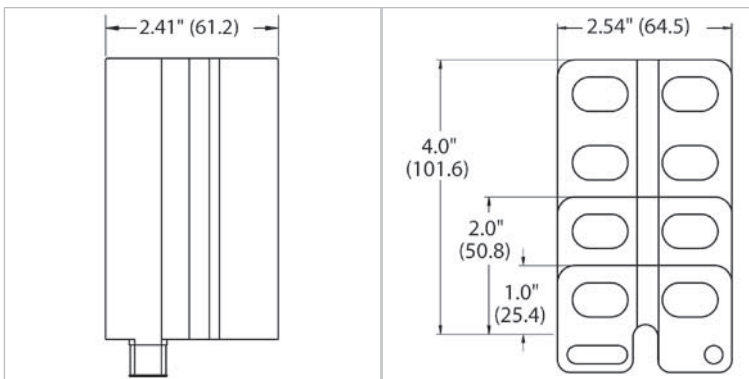


Belt data

Belt material		PP	POM
Rod material		Nylon (PA)	
Nominal tensile strength F_N in curve ⁽¹⁾	N lbf	1779 400	2669 600
Temperature range	°C °F	5 - 105 40 - 220	-40 - 93 -40 - 200
Belt weight m_B	kg/m ² lb/sqft	4.9 1.00	7.4 1.51
Standard belt color		blue	blue

Additional belt colors and materials available, stainless steel rods available - contact your local partner.

Belt accessories



Sideplates
Available in 1/2", 1", 2" and 4" heights.

Lane Divider
Available in 1/2", 1", 2" and 4" heights.