

KVP[®] Spiral 2" Pitch Belting PR620 (Spiral Pro)

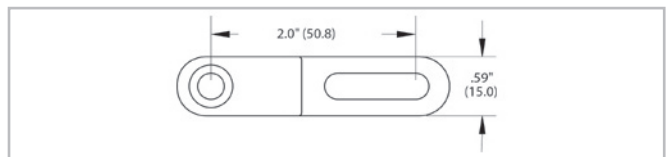
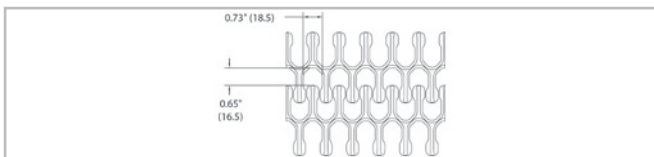
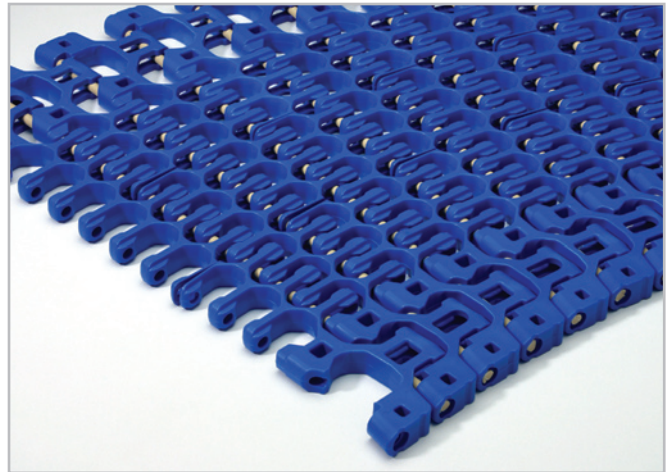


Your Source For Habasit
Belting And Chain

www.StilesEnterprises.com • 1-800-325-4232

Description

- 2 inch pitch
- Belt turning radius equals 1.6 times the nominal belt width
- 65% open area
- Built to USDA and FDA standards
- Connecting rod diameter = 0.250 inch (6.4 mm)
- Standard belt width increments = 1 inch (25.4 mm) nominal, starting from 12 inches (304.8 mm)
- Adjustable radius plugs available: sizes 1.8, 2.0, 2.2, 2.5, and 3.0 turning radius
- Material selection may affect belt width — please contact your local partner for actual dimensions

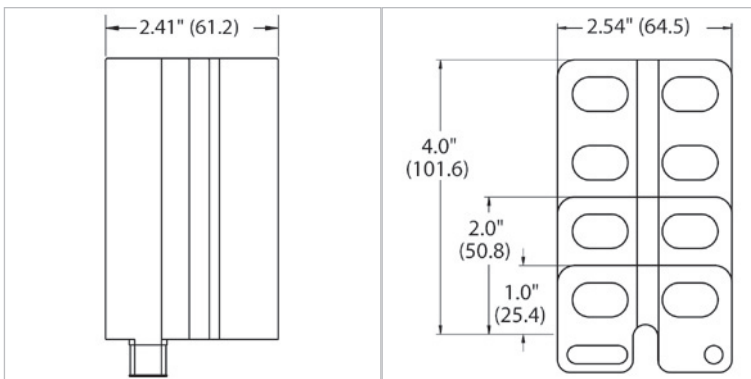


Belt data

Belt material		PP	POM
Rod material		Nylon (PA)	
Nominal tensile strength F_N in curve ⁽¹⁾	N	1779	2669
	lbf	400	600
Temperature range	°C	10 - 99	-40 - 93
	°F	50 - 210	-40 - 200
Belt weight m_B	kg/m ²	4.9	7.4
	lb/sqft	1.00	1.51
Standard belt color		blue	blue

Additional belt colors and materials available, stainless steel rods available - contact your local partner.

Belt accessories



Sideplates
Available in 1/2", 1", 2" and 4" heights.

Lane Divider
Available in 1/2", 1", 2" and 4" heights.